

KX080-4

KUBOTA EXCAVATOR



CLEAN AND POWERFUL EXCAVATOR

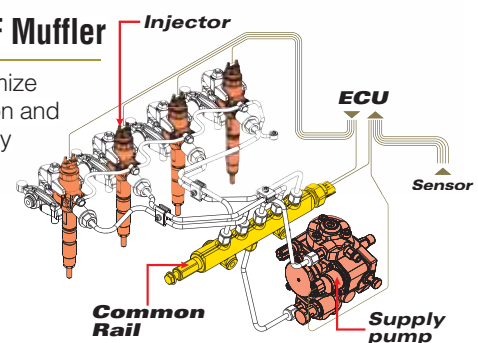
Clean & Powerful

Kubota KX080-4 excavator delivers all the power you need while going easy on the environment thanks to new direct injection diesel engine with Common Rail System (CRS) and Diesel Particulate Filter (DPF) muffler, and a host of functions and equipment including ECO PLUS. Furthermore, its digging force is superior among 8-tonne excavators.



Kubota Original DI Engine with CRS and DPF Muffler

Kubota's original Direct injection (DI) engine helps maximize digging strength while minimising noise, fuel consumption and exhaust emissions simultaneously. The CRS electronically controls the fuel injection timing and amount in stages rather than all at once for optimal combustion. The results are greater efficiency, better fuel economy and less engine noise. Its combination with the Exhaust Gas Recirculation (EGR) and DPF Muffler reduces emissions to make the KX080-4 Stage III B compliant.



Auto Idling System

Kubota's Auto Idling System is fitted as standard. When the control levers are left in neutral for longer than 4 seconds, the idling system automatically reduces the engine to idling RPM. When the levers are moved again, engine RPM is immediately reset to the dial-set RPM. This innovative feature reduces noise and exhaust emissions, in addition to saving energy and running costs.

Load-Sensing Hydraulic System

Kubota's load-sensing hydraulic system ensures smoother operation, regardless of load size. It allows hydraulic oil to flow according to the specific range of the operator's lever motion. As a result, it reduces fuel consumption and delivers greater overall operating performance.

1. Adjustable Maximum Oil Flow on Auxiliary Circuit (AUX1/AUX2)

Two proportional control auxiliary circuits (AUX1/AUX2) come as standard on the KX080-4. The convenient switch on the left and right lever allows simple and accurate yet minute operation for a wide variety of attachments.

The maximum oil flow settings of both circuits are conveniently adjustable from the drivers seat via the digital display panel – no additional tools or complex manual adjusting procedures are necessary. You can programme up to five oil flow rates corresponding to specific attachments into the memory of the digital display panel. Programmed settings can be quickly retrieved for the required job. The system comes with nine pre-installed attachment icons.



Introducing ECO PLUS

Kubota's original ECO PLUS prioritises fuel economy, and supports the environment.

Normally in Standard Mode (ECO PLUS), the KX080-4 delivers up to 18% fuel savings over the previous model. For tough digging applications, use Power Mode and experience a 5% productivity improvement over the previous model while consuming up to 12% less fuel.



ECO PLUS on/off switch

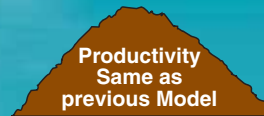


ECO PLUS indicator

NOTE: Comparisons to previous models were performed using KUBOTA's testing mode.

STANDARD MODE (ECO PLUS)

- Focus on Lower Fuel Consumption



Save 18%*

POWER MODE

- Improved Productivity • Lower Fuel Consumption

Compared to previous Model



Save 12%*

*Compared to previous Model



Versatility

In addition to the first auxiliary circuit (AUX1), all KX080-4 excavators, including the 2-piece boom version, feature a second auxiliary circuit (AUX2) as standard equipment, making it easy to use a wide variety of attachments.

Digging Force

The KX080-4's well-balanced arm and bucket provide unparalleled power for superior digging force among 8-tonne class excavators. This means that the KX080-4 can dig faster and more efficiently, even in the toughest conditions.

Smooth and Efficient Travel Performance

The KX080-4 is fitted with an advanced two-speed auto-shift feature, which automatically adjusts speed and traction force depending on load size and terrain to enhance travel performance and ensure smooth and easy operation.

DELUXE INTERIOR

Spacious & Comfortable

On the KX080-4, your comfort truly comes first. The luxurious cabin features a wider entrance, generous legroom and a deluxe seat. The Roll-over Protective Structure (ROPS) and Operator Protective Guard (OPG, ISO10262, Level 1 as standard, level 2 as optional with Top Guard.) maximise safety. Operation is greatly enhanced with more easy-to-use features than ever before.



New Air Conditioner

Overall cooling performance in the cab has been improved, thanks to a stronger airflow.



Deluxe Suspension Seat

Designed and engineered with comfort in mind, Kubota's high-back suspension seat reduces strain and minimises operator fatigue. It reclines to accommodate your individual posture, and offers weight compensation, firm wrist support and retractable seat belts.

1. New Digital Display Panel

Informative, interactive and functional, Kubota's Intelligent Control System LCD panel accurately displays timely diagnostic readings and routine maintenance alerts. Information such as engine RPM, engine temperature, fuel level, machine hours and a 90 day usage register with recorded machine hours for each day the machine is worked are also displayed.

2. Easy-open Front Window

Unlike many excavator windows, the front window of the KX080-4 opens with ease. Just flip the latches on both sides of the window and slide it up. A gas-assist mechanism makes this action almost effortless.



3. Front Window Guard / Top Guard (Optional)

Operators who require additional protection from flying chips and debris when using some attachments or when antivandalism is important. Kubota provides the window guard mounting points around the front window as a standard feature.

LH Control Lever Console

Raise the safety control lever and the console moves up with it, providing more room for entry and exit. To prevent unexpected machine movement during entry or exit, all control levers are then disabled until the console is back in place.



ROPS/FOPS Cabin

Kubota has adopted a cabin that is certified as a Roll-over Protection Structure and a Falling Object Protection Structure. Coupled with the safety belt, this ensures maximum operator safety.

Advanced Visibility Mirrors

The big rear-view mirror offers a wide range of visibility. Together with the two side-view mirrors, you get a better view of your worksite, as well as your immediate surroundings.



Cup Holder

With the convenience of a bigger cup holder, you can quench your thirst and work longer without leaving the cab. Or store your cell phone. There is a 12V charging port located conveniently close by.

MAINTENANCE AND SAFETY

Dependability & Protection

Kubota goes the extra mile to simplify inspections and maintenance for the KX080-4. Vital components, battery, fluid tanks and filters are now easier to access than ever. And the new Automatic Regeneration System keeps the DPF muffler clean to keep the KX080-4 going for years ahead.



Triple Opening Bonnet

All three of the excavator's access panels can open at once. This allows you to easily inspect and view the centrally located components of the KX080-4. You can easily access the hydraulic components under the centre bonnet, or the battery, oil filter and toolbox and grease gun space under the right bonnet. Maintaining your excavator has never been so easy.

- | | | |
|------------------------------------|---------------------------------------|---|
| A. Dual Element Air Cleaner | E. Starter Motor | H. Battery |
| B. DPF Muffler | F. Control Valves | I. Water Separator |
| C. Fuel Filter | G. Hydraulic Return Oil Filter | J. Toolbox with Grease Gun Space |
| D. Alternator | | |

Automatic Regeneration System

Kubota's original automatic regeneration system automatically burns accumulated particulate matter (soot) in the DPF muffler to keep the muffler clean for longer operation. For safety reasons, automatic regeneration can be turned off with the inhibit switch when the excavator is operating in areas that are prone to fires. The current DPF regeneration condition is displayed on the digital display panel so you can focus on your job.



1. 2. Easy Maintenance

Parts that require routine maintenance and inspection such as the engine oil level and V-belt are easy to access. In addition, all filters are located near the bonnet opening to simplify their replacement.

A. Engine Oil Dipstick
B. Engine Fan Belt

C. Oil Gauge
D. Radiator Cooler Tank

3. Tank Electric Refuelling Pump

The KX080-4's standard diesel refueling pump includes an auto-stop function that minimizes spillage and increases safety. Complete tank filling takes approximately three minutes.

4. Safety (Anti-drop) Valves on the Boom and Arm

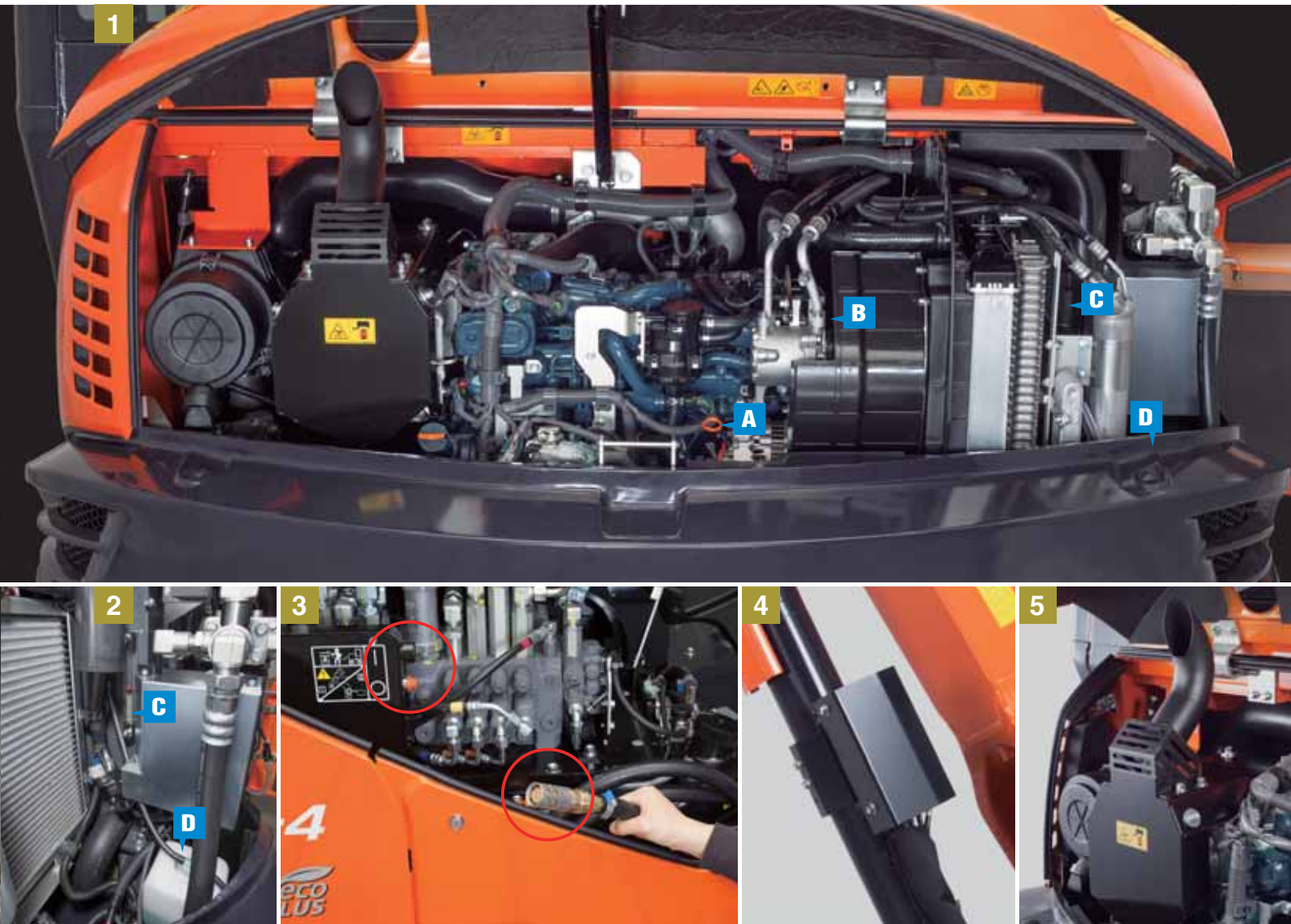
The KX080-4 is fitted with a boom- and arm-lowering control device as standard.

5. Double Structure Exhaust Gas Pipe

The double structure exhaust gas pipe helps to reduce the increases in exhaust gas temperatures caused by the DPF automatic regeneration process to minimise the risk of danger to people nearby and the environment.

Variable Speed Fan

The variable speed fan drive provides the right amount of cooling efficiency by regulating the engine fan speed according to the ambient temperature after the air passes through the radiator. The benefits are reduced fan noise and fuel savings through effective use of engine output.



Two-Piece Hose Design

Kubota's innovative two-piece hose design for the dozer blade reduces hose replacement time by nearly 60% compared to one piece hose. This design virtually eliminates the need to enter the machine for maintenance.

Tight Tail Swing

The KX080-4 is designed with a shorter rear overhang, ensuring improved workability in restricted space, increased versatility, and better stability. The rear overhang also features cast-iron protectors, which significantly reduce damage to the machine in space restricted work sites.

Compact Machine Width

The KX080-4's narrow 2200 mm width makes it ideal for working in close conditions, and much easier to transport between job sites.

2-PIECE BOOM VERSION

Further & Deeper

The KX080-4 can be equipped with a two-piece boom so you can take on tougher jobs in a wider range of sites. Furthermore, with its easy to control and smooth operation the extra versatility even under difficult working conditions minimises operator fatigue.



A Extended reach



Close digging capability



B High dumping reach



C Efficient vertical digging



2-piece Boom's Dynamic Working Range

The 2-piece boom offers a versatile working range so you can reach further, deeper, closer and anywhere in between.

A. Expanded working range

The versatile 2-piece boom offers a long reach and close retraction to make levelling large areas more efficient and productive. Plus, it's easy to dig close to the machine, eliminating the need for constant repositioning. It's particularly effective when working in narrow spaces.

B. Impressive dumping range

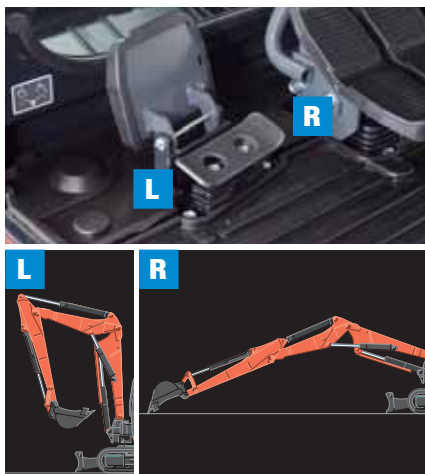
The 2-piece boom enables you to dump farther and higher, and offers a high bucket bottom position, making it smooth and easy to dump into Lorries without repositioning the excavator.

C. Efficiency in narrow spaces

When space is restricted, the 2-piece boom manoeuvres easily to simplify vertical digging and efficiently make deep walls at 90° angles. And, it offers a compact front swivel radius to make turning and lifting operations in tight spaces even easier.

Easy Boom Control

The user-friendly design and location of the 2-piece boom pedal makes operation extremely simple. Located to the left of the driving pedals, the operator simply needs to flip the footpad, and depress the right side of the pedal to extend the boom, or the left side to retract it. This feature greatly simplifies the footwork necessary to smoothly operate the boom.



Smooth Simultaneous Operation

Kubota's 2-piece boom offers reliably smooth and fast performance. Its innovative hydraulic mechanism enables the operator to easily run the arm, boom, bucket, and swivel simultaneously, boosting work efficiency and increasing productivity.

Kubota Original Anti-theft System

Your KX080-4 is protected by Kubota's industry-leading antitheft system. Only programmed keys will enable the engine to start up. Attempting to start with an un-programmed key will activate the alarm. Newly enhanced features include an alert to remind the operator to extract the key after operation, and an LED to alert potential thieves that the system is activated.



The red programming key programs the individual keys. The individual black keys start the engine.

Standard Equipment

Engine/Fuel system

- Double-element air filter
- Automatic fuel bleed system
- Auto idling system
- Tank electric refuelling pump
- Variable speed fan
- Water separator

Undercarriage

- (450 mm) rubber track
- 1 x upper track roller
- 5 single-flange track rollers on each track
- 2-speed travel switch on dozer lever

Hydraulic system

- Pressure accumulator
- Hydraulic pressure checking ports
- Third line hydraulic return with lever
- 3-pump load sensing system
- Adjustable maximum oil flow on auxiliary hydraulic circuits (AUX1/AUX2)
- Auxiliary switch (AUX1) on right control lever (proportional)
- Auxiliary switch (AUX2) on left control lever (proportional)
- 2-speed travel with auto-shift

Safety system

- LH control lever console
- Travel motor with disc brake
- Swivel motor with disc brake
- Overload warning buzzer
- Kubota original anti-theft system
- Anti-drop valve on the boom (ISO8643)
- Anti-drop valve on the arm
- All hydraulic control

Working equipment

- Auxiliary hydraulic circuit piping to the arm end
- 2 working lights on cabin and 1 light on the boom
- 2100 mm arm
- Bracket and harness for beacon light

Cabin

- ROPS (Roll-over Protective Structure, ISO3471)
- FOPS (Falling Object Protective Structure) Level 1
- Weight-adjustable full suspension seat
- Retractable seatbelt
- Hydraulic pilot control levers with adjustable wrist rests
- Travel levers with foot pedals
- Air conditioning
- Cabin heater for defrosting & demisting

- Digital display panel
- Front window power-assisted with gas damper
- 12 V power source
- Front window guard mounting points
- 2 speakers and radio aerial
- Location for radio
- Cup holder
- Emergency exit hammer

Optional Equipment

Undercarriage

- 450 mm steel track (+ 50 kg)

Working equipment

- 1750 mm arm (- 22 kg)

Safety system

- Anti-drop valve unit on the dozer

Others

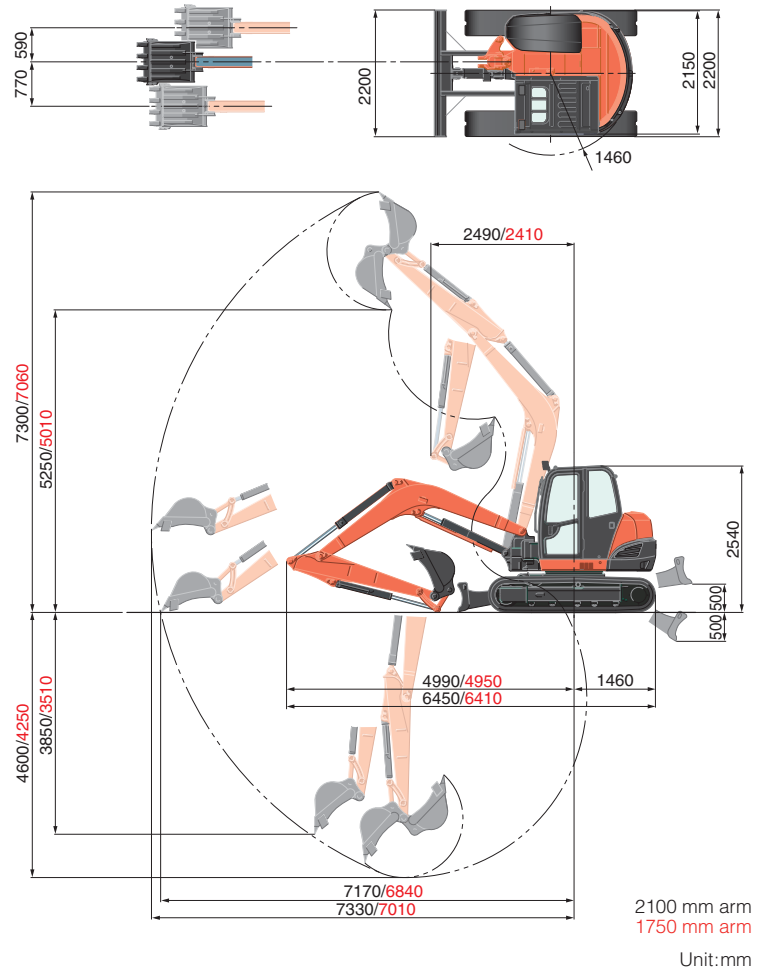
- Special paint upon request
- Light weight version (-195 kg)
- Beacon light

SPECIFICATIONS

*with rubber shoe, JPN bucket and 2100 mm arm

Machine weight	kg	8195		
Operating weight	kg	8270		
Bucket capacity, std. SAE/CECE	m ³	0.25/0.21		
Bucket width	With side teeth	mm	800	
	Without side teeth	mm	700	
Engine	Model	V3307-CR-TE4		
	Type	Water-cooled, diesel engine E-CDIS (with CRS and DPF)		
	Output ISO9249	PS/rpm	65.0/2000	
		kW/rpm	47.8/2000	
	Number of cylinders	4		
	Bore × Stroke	mm		94 × 120
Displacement	cc	3331		
Swivelling speed	rpm	9.5		
Rubber shoe width	mm	450		
Tumbler distance	mm	2300		
Dozer size (width × height)	mm	2200 × 500		
Hydraulic pumps	P1,P2	Variable displacement pump		
	Flow rate	ℓ/min	72.0 × 2	
	Hydraulic pressure	MPa (kgf/cm ²)	27.4 (280)	
	P3	Gear type		
	Flow rate	ℓ/min	66.6	
Max. digging force	Arm	kN (kgf)	38.1 (3880)	
	Bucket	kN (kgf)	65.2 (6650)	
Boom swing angle (left/right)	deg	70/60		
Minimum front swivel radius with boom swing (left/right)	2050/2380			
Auxiliary circuit (SP1)	Max. Flow rate	ℓ/min	100	
	Max. Hydraulic pressure	MPa (kgf/cm ²)	20.6 (210)	
Auxiliary circuit (SP2)	Max. Flow rate	ℓ/min	66.6	
	Max. Hydraulic pressure	MPa (kgf/cm ²)	20.6 (210)	
Hydraulic reservoir	ℓ	75		
Fuel tank capacity	ℓ	115		
Max. travelling speed	Low	km/h	2.7	
	High	km/h	4.9	
Ground contact pressure	kPa (kgf/cm ²)	34.6 (0.353)		
Ground clearance	mm	390		

WORKING RANGE



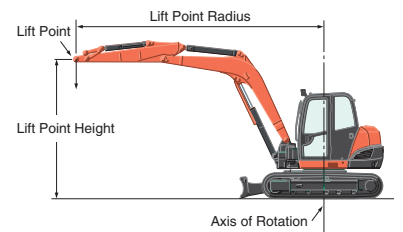
LIFTING CAPACITY

*With counter weight

Lift Point Height	kN (ton)											
	Lifting point radius (Min)			Lifting point radius (4m)			Lifting point radius (5m)			Lifting point radius (Max)		
	Over-front		Over-side	Over-front		Over-side	Over-front		Over-side	Over-front		Over-side
Blade Down	Blade Up	Blade Down		Blade Up	Blade Down		Blade Up	Blade Down		Blade Up	Blade Down	
5m	1750 Arm			16.7 (1.70)	16.7 (1.70)	15.7 (1.60)						
	2100 Arm			14.2 (1.45)	14.2 (1.45)	14.2 (1.45)						
3m	1750 Arm			20.1 (2.05)	19.6 (2.00)	15.2 (1.55)	17.2 (1.75)	13.7 (1.40)	10.3 (1.05)			
	2100 Arm			18.1 (1.85)	18.1 (1.85)	15.2 (1.55)	16.2 (1.65)	13.7 (1.40)	10.8 (1.10)			
1.5m	1750 Arm			26.0 (2.65)	18.1 (1.85)	13.7 (1.40)	20.1 (2.05)	12.7 (1.30)	9.8 (1.00)	17.1 (1.74)	10.7 (1.09)	8.2 (0.84)
	2100 Arm			24.5 (2.50)	18.1 (1.85)	13.7 (1.40)	19.1 (1.95)	13.2 (1.35)	9.8 (1.00)	15.9 (1.62)	9.3 (0.95)	7.0 (0.71)
1m	1750 Arm			27.4 (2.80)	17.6 (1.80)	13.2 (1.35)	20.6 (2.10)	12.7 (1.30)	9.8 (1.00)			
	2100 Arm			26.5 (2.70)	17.6 (1.80)	13.2 (1.35)	20.1 (2.05)	12.7 (1.30)	9.8 (1.00)			
0m	1750 Arm			28.4 (2.90)	17.2 (1.75)	12.7 (1.30)	21.1 (2.15)	12.3 (1.25)	9.3 (0.95)			
	2100 Arm			28.4 (2.90)	17.2 (1.75)	12.7 (1.30)	21.1 (2.15)	12.3 (1.25)	9.3 (0.95)			
-1m	1750 Arm	37.7 (3.85)	37.7 (3.85)	37.7 (3.85)	27.4 (2.80)	17.2 (1.75)	12.7 (1.30)	20.1 (2.05)	12.3 (1.25)	9.3 (0.95)		
	2100 Arm	28.4 (2.90)	28.4 (2.90)	28.4 (2.90)	27.9 (2.85)	16.7 (1.70)	12.3 (1.25)	20.6 (2.10)	12.3 (1.25)	9.3 (0.95)		
-3m	1750 Arm											
	2100 Arm				16.2 (1.65)	16.2 (1.65)	12.7 (1.30)					

*Light weight version

Lift Point Height	kN (ton)											
	Lifting point radius (Min)			Lifting point radius (4m)			Lifting point radius (5m)			Lifting point radius (Max)		
	Over-front		Over-side	Over-front		Over-side	Over-front		Over-side	Over-front		Over-side
Blade Down	Blade Up	Blade Down		Blade Up	Blade Down		Blade Up	Blade Down		Blade Up	Blade Down	
5m	1750 Arm			16.7 (1.70)	16.7 (1.70)	14.7 (1.50)						
	2100 Arm			14.2 (1.45)	14.2 (1.45)	14.2 (1.45)						
3m	1750 Arm			20.1 (2.05)	18.1 (1.85)	13.7 (1.40)	17.2 (1.75)	12.7 (1.30)	9.8 (1.00)			
	2100 Arm			18.1 (1.85)	18.1 (1.85)	14.2 (1.45)	16.2 (1.65)	12.7 (1.30)	9.8 (1.00)			
1.5m	1750 Arm			26.0 (2.65)	16.7 (1.70)	12.3 (1.25)	20.1 (2.05)	11.8 (1.20)	8.8 (0.90)	17.1 (1.74)	9.8 (1.00)	7.4 (0.75)
	2100 Arm			24.5 (2.50)	17.2 (1.75)	12.7 (1.30)	19.1 (1.95)	12.3 (1.25)	9.3 (0.95)	15.9 (1.62)	8.4 (0.86)	6.5 (0.67)
1m	1750 Arm			27.4 (2.80)	16.2 (1.65)	12.3 (1.25)	20.6 (2.10)	11.8 (1.20)	8.8 (0.90)			
	2100 Arm			26.5 (2.70)	16.7 (1.70)	12.3 (1.25)	20.1 (2.05)	11.8 (1.20)	8.8 (0.90)			
0m	1750 Arm			28.4 (2.90)	15.7 (1.60)	11.8 (1.20)	21.1 (2.15)	11.3 (1.15)	8.3 (0.85)			
	2100 Arm			28.4 (2.90)	15.7 (1.60)	11.8 (1.20)	21.1 (2.15)	11.3 (1.15)	8.3 (0.85)			
-1m	1750 Arm	37.7 (3.85)	37.7 (3.85)	35.8 (3.65)	27.4 (2.80)	15.7 (1.60)	11.3 (1.15)	20.1 (2.05)	11.3 (1.15)	8.3 (0.85)		
	2100 Arm	28.4 (2.90)	28.4 (2.90)	28.4 (2.90)	27.9 (2.85)	15.2 (1.55)	11.3 (1.15)	20.6 (2.10)	11.3 (1.15)	8.3 (0.85)		
-3m	1750 Arm											
	2100 Arm				16.2 (1.65)	16.2 (1.65)	11.8 (1.20)					



* Working ranges are with Kubota standard bucket, without quick coupler.
* Specifications are subject to change without notice for purpose of improvement.

Please note:
* The lifting capacities are based on ISO 10567 and do not exceed 75% of the static tilt load of the machine or 87% of the hydraulic lifting capacity of the machine.
* The excavator bucket, hook, sling and other lifting accessories are not included on this table.

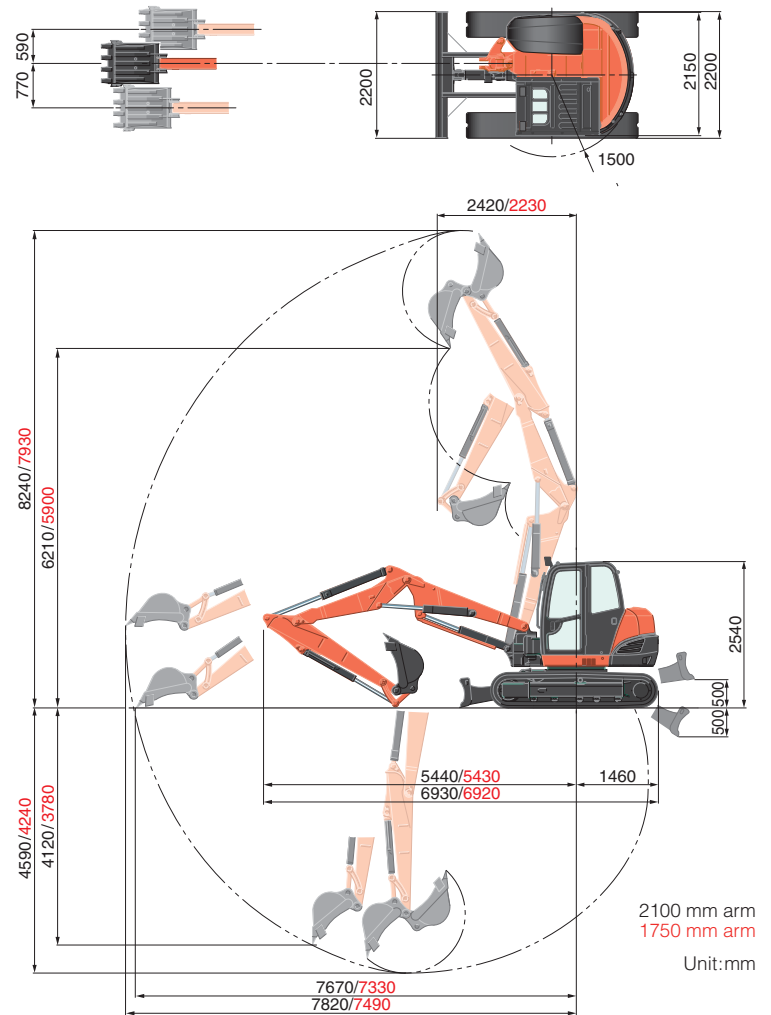
2-PIECE BOOM VERSION

SPECIFICATIONS

*with rubber shoe, JPN bucket and 2100 mm arm

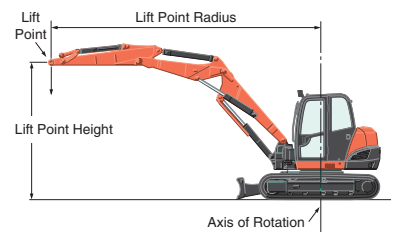
Machine weight	kg	8700	
Operating weight	kg	8775	
Bucket capacity, std. SAE/CECE	m ³	0.25/0.21	
Bucket width	With side teeth	mm 800	
	Without side teeth	mm 700	
Engine	Model	V3307-CR-TE4	
	Type	Water-cooled, diesel engine E-CDIS (with CRS and DPF)	
	Output ISO9249	PS/rpm	65.0/2000
		kW/rpm	47.8/2000
	Number of cylinders		4
	Bore × Stroke	mm	94 × 120
Displacement	cc	3331	
Swivelling speed	rpm	9.5	
Rubber shoe width	mm	450	
Tumbler distance	mm	2300	
Dozer size (width × height)	mm	2200 × 500	
Hydraulic pumps	P1, P2	Variable displacement pump	
	Flow rate	ℓ/min	72.0 × 2
	Hydraulic pressure	MPa (kgf/cm ²)	27.4 (280)
	P3	Gear type	
	Flow rate	ℓ/min	66.6
	Hydraulic pressure	MPa (kgf/cm ²)	20.6 (210)
Max. digging force	Arm	kN (kgf)	38.1 (3880)
	Bucket	kN (kgf)	65.2 (6650)
Boom swing angle (left/right)	deg	70/60	
Minimum front swivel radius with boom swing (left/right)		1990/2310	
Auxiliary circuit (SP1)	Max. flow rate	ℓ/min	100
	Max. hydraulic pressure	MPa (kgf/cm ²)	20.6 (210)
Auxiliary circuit (SP2)	Max. flow rate	ℓ/min	66.6
	Max. hydraulic pressure	MPa (kgf/cm ²)	20.6 (210)
Hydraulic reservoir	ℓ	75	
Fuel tank capacity	ℓ	115	
Max. travelling speed	Low	km/h	2.7
	High	km/h	4.9
Ground contact pressure	kPa (kgf/cm ²)	37.8 (0.386)	
Ground clearance	mm	390	

WORKING RANGE



LIFTING CAPACITY

Lift Point Height	Lifting point radius (Min)	kN (ton)											
		Lifting point radius (4m)			Lifting point radius (5m)			Lifting point radius (Max)					
		Over-front	Over-side	Over-side	Over-front	Over-side	Over-side	Over-front	Over-side	Over-side	Over-front	Over-side	Over-side
5m	1750 Arm	22.1 (2.25)	22.1 (2.25)	22.1 (2.25)	17.7 (1.80)	17.7 (1.80)	14.7 (1.50)	15.7 (1.60)	12.7 (1.30)	9.8 (1.00)			
	2100 Arm				16.2 (1.65)	16.2 (1.65)	15.2 (1.55)	14.7 (1.50)	13.2 (1.35)	10.3 (1.05)			
3m	1750 Arm				21.1 (2.15)	17.7 (1.80)	13.2 (1.35)	16.7 (1.70)	12.3 (1.25)	9.3 (0.95)			
	2100 Arm				19.6 (2.00)	18.1 (1.85)	13.7 (1.40)	16.2 (1.65)	12.7 (1.30)	9.8 (1.00)			
1.5m	1750 Arm				24.5 (2.50)	16.2 (1.65)	11.8 (1.20)	18.1 (1.85)	11.8 (1.20)	8.8 (0.90)	12.7 (1.30)	7.8 (0.80)	5.9 (0.60)
	2100 Arm				23.5 (2.40)	16.2 (1.65)	11.8 (1.20)	17.7 (1.80)	11.8 (1.20)	8.8 (0.90)	12.3 (1.25)	7.4 (0.75)	5.4 (0.55)
1m	1750 Arm				24.5 (2.50)	15.7 (1.60)	11.3 (1.15)	18.1 (1.85)	11.3 (1.15)	8.3 (0.85)			
	2100 Arm				24.0 (2.45)	15.7 (1.60)	11.8 (1.20)	18.1 (1.85)	11.3 (1.15)	8.3 (0.85)			
0m	1750 Arm				23.0 (2.35)	15.2 (1.55)	11.3 (1.15)	17.7 (1.80)	11.3 (1.15)	8.3 (0.85)			
	2100 Arm				23.5 (2.40)	15.2 (1.55)	10.8 (1.10)	17.7 (1.80)	11.3 (1.15)	8.3 (0.85)			
-1m	1750 Arm	18.6 (1.90)	18.6 (1.90)	18.6 (1.90)	20.1 (2.05)	15.2 (1.55)	11.3 (1.15)	15.2 (1.55)	10.8 (1.10)	7.8 (0.80)			
	2100 Arm	18.1 (1.85)	18.1 (1.85)	18.1 (1.85)	21.6 (2.20)	15.2 (1.55)	10.8 (1.10)	16.2 (1.65)	10.8 (1.10)	7.8 (0.80)			
-3m	1750 Arm				6.4 (0.65)	6.4 (0.65)	6.4 (0.65)						
	2100 Arm				9.8 (1.00)	9.8 (1.00)	9.8 (1.00)						



- * Working ranges are with Kubota standard bucket, without quick coupler.
- * Specifications are subject to change without notice for purpose of improvement.

Please note:

- * The lifting capacities are based on ISO 10567 and do not exceed 75% of the static tilt load of the machine or 87% of the hydraulic lifting capacity of the machine.
- * The excavator bucket, hook, sling and other lifting accessories are not included on this table.

KUBOTA EUROPE S.A.S.

19 à 25, Rue Jules - Vercruysse -
Zone Industrielle - B.P. 50088
95101 Argenteuil Cedex France
Téléphone : (33) 01 34 26 34 34
Télécopieur : (33) 01 34 26 34 99

KUBOTA (U.K.) LTD

Dormer Road, Thame, Oxfordshire,
OX93UN, U.K.
Phone : 01844-268140
F a x : 01844-216685

<http://www.kubota-global.net>

KUBOTA Baumaschinen GmbH

Steinhauser Straße 100
D-66482 Zweibrücken Germany
Telefon : (49) 0 63 32 - 487 - 312
F a x : (49) 0 63 32 - 487 - 101